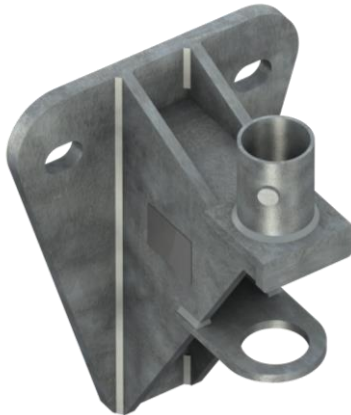


## Corbeau 5T

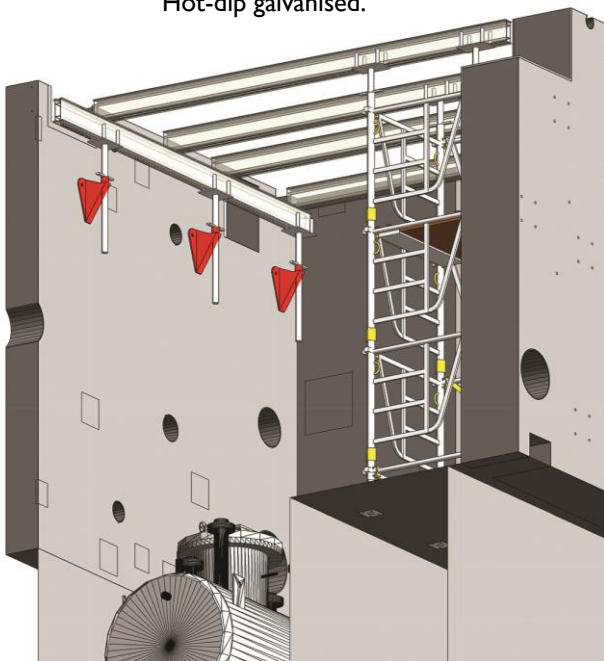
The 5 T corbel is a wall bracket designed to support high shoring stress, up to 5 metric tons.



Designation	Code	Weight
5T Corbel	080460-9	15 kg / 33.1 lbs

SWL SLS 5 metric tons.

Hot-dip galvanised.



### Compatibility with MILLS's equipments

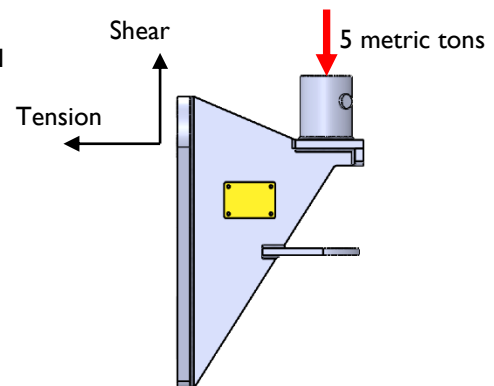
The 5T corbel is compatible with all the Mills's shoring adjustable heads type "Touréchap" and "MillsTour".

Using a beam connecting several corbels enable to optimize the number of corbels needed and allows higher tolerances while mounting them.

### Anchorage

Maximum reactions at the SLS per anchor bolt :

- Shear : 2765 daN.
- Tension: 2260 daN



### Dimensions and bores positioning (in mm)

